

BS,C ,202788,048	D	GEN. ST.	01	02	03	04	05	06	07	08	0D	50	60	70	80	90																	
		INT. ST.	10	11	12	13	14	18	20	31	32	33	34	38	39	40	42	43	44	45	46	48	56	70	72	73	75	76	81	82	83	84	88

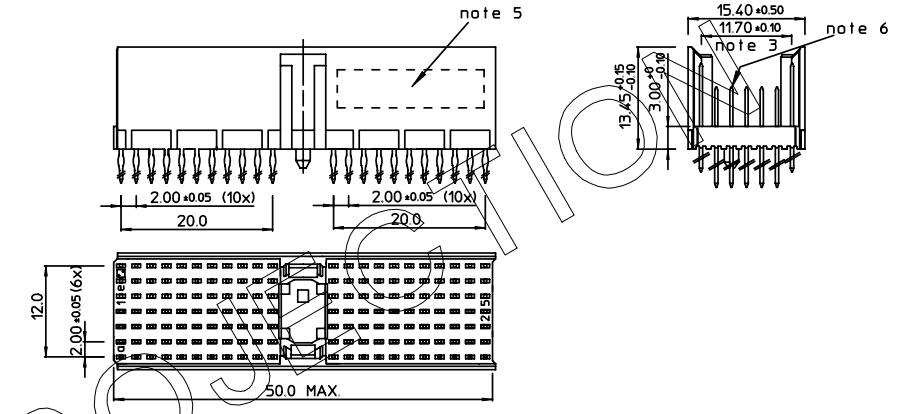
REV.	DATE	DESCRIPTION	BY	C'K'D'
A	2001-09-14	CONVERSION REVISION 03	KN	
B	2002-05-28	EC B20086	MF	
C	2005-10-17	105-0196	ALEX B	BKP
D	2006-08-09	106-0145	VIVEK	BKP

LOADING PATTERN MATING SIDE

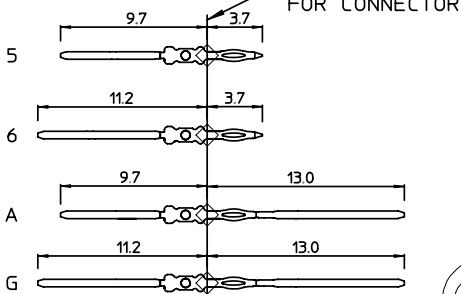
f	6	6	6	6	6	6	6	6	6	6	6	6	6	6	6	6	6	6	6	6	6	6	6	6	6	6	6	6	6	6	6	6	6	6	6	6	6	6		
e	A	A	G	A	A	A	A	5	5	5						G	A	A	A	A	G	A	A	5	5	6														
d	A	A	G	A	A	A	A	5	5	5						G	A	A	A	A	G	A	A	5	5	6														
c	A	A	G	A	A	A	A	5	5	5						G	A	A	A	A	G	A	A	5	5	6														
b	A	A	G	A	A	A	A	5	5	5						G	A	A	A	A	G	A	A	5	5	6														
a	A	A	G	A	A	A	A	5	5	5						G	A	A	A	A	G	A	A	5	5	6														
z	0	0	0	0	0	0	0	0	0	0						0	0	0	0	0	0	0	0	0	0	0	0	0	0	0	0	0	0	0	0	0	0	0	0	
PO	0							1								1					2																	2		5
SO	1							5								5					0																		5	

NOTE : NOT TO BE MATED WITH A FREE BOARD CONNECTOR.
LEVEL 3 IN ROW B IS NOT ALLOWED PER IEC 1076-4-101.

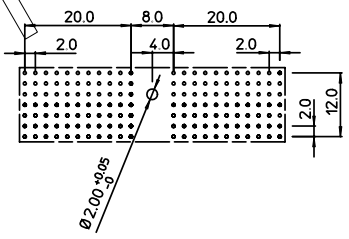
LOADED CONNECTOR ASSEMBLY (FOR EXAMPLE)



CONTACT OVERVIEW



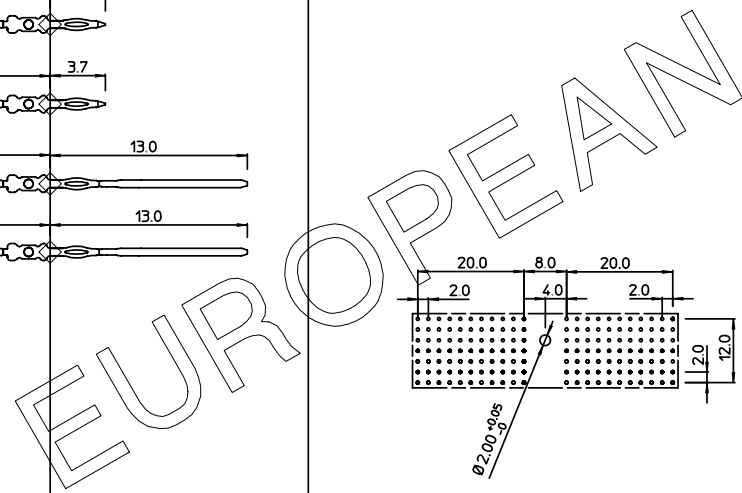
LAY-OUT P.C.B.-HOLE



HM2P07PKM2M5 LEAD FREE INDICATOR : LF = LEAD FREE (DIGIT 15 & 16)
PLATING CODE (DIGIT 13 AND 14) (REF DWG No. BS,C ,201844,003)

NOTES:

- THIS PRODUCT IS CSA APPROVED.
- THIS PRODUCT IS UL RECOGNIZED.
- MEASURED AT THE BOTTOM.
- MATERIAL CONTACT : PHOSPHORBRONZE
HOUSING : CREAM WHITE GLASSFILLED POLYESTER UL-94V0
- CONNECTOR PRINTED WITH P/N AND DATE CODE.
- FOR ACTUAL CONTACT LOADINGS, SEE LOADING PATTERN MATING SIDE.
- SHAPE OF CONNECTOR HOUSING CAN ALTER DEPENDING ON PRODUCTION LOCATION.
- THE PRODUCT (LF) MEETS EUROPEAN UNION DIRECTIVES AND OTHER COUNTRY REGULATIONS AS DESCRIBED IN GS-22-008
- FOR RECOMMENDED PTH DIMENSIONS REFER DRAWING : BS,A ,201572,001



1DEC ±0.2 2DEC ±0.1 ANGLES ±1°	APPR. DATE SIGN. MPACS 5+2R STR HDR SG PF ASSY TYPE A
DRAFT 2000-10-02 M.Fret	CAT. No. HM2P07PKM2M5----
CHECKED	SCALE
WE RESERVE THE RIGHT TO CHANGE DIMENSIONS OR REQUIREMENTS WITHOUT PRIOR NOTICE.	PROD. MGR. PR. ENG. MGR. PR. MGT. MGR.
ALL DIMENSIONS IN MM	www.fciconnect.com
REFERENCES	
BS,C ,202788,048 D	
DRAWING No. CUSTOMER DRAWING REVISION	

THIS IS OUR EXCLUSIVE PROPERTY. IT IS NOT TO BE COPIED, REPRINTED OR DISCLOSED TO A THIRD PARTY. NOR USED FOR MANUFACTURING WITHOUT OUR WRITTEN CONSENT. AND HAS TO BE RETURNED TO US IN CASE OF NO USAGE

DIT IS ONZE EIGENDOM EN MAG NOCH NAGEMAAKT, HERDIKT, OVERGEHAKT AAN DERDEN, NOCH VOOR FABRIKATIE GEBRUIKT WORDEN, ZONDER ONZE SCHRIFTELIJKE TOELATING. BIJ NIET GEBRUIK IS TERUGZENDING VERPLICHT.